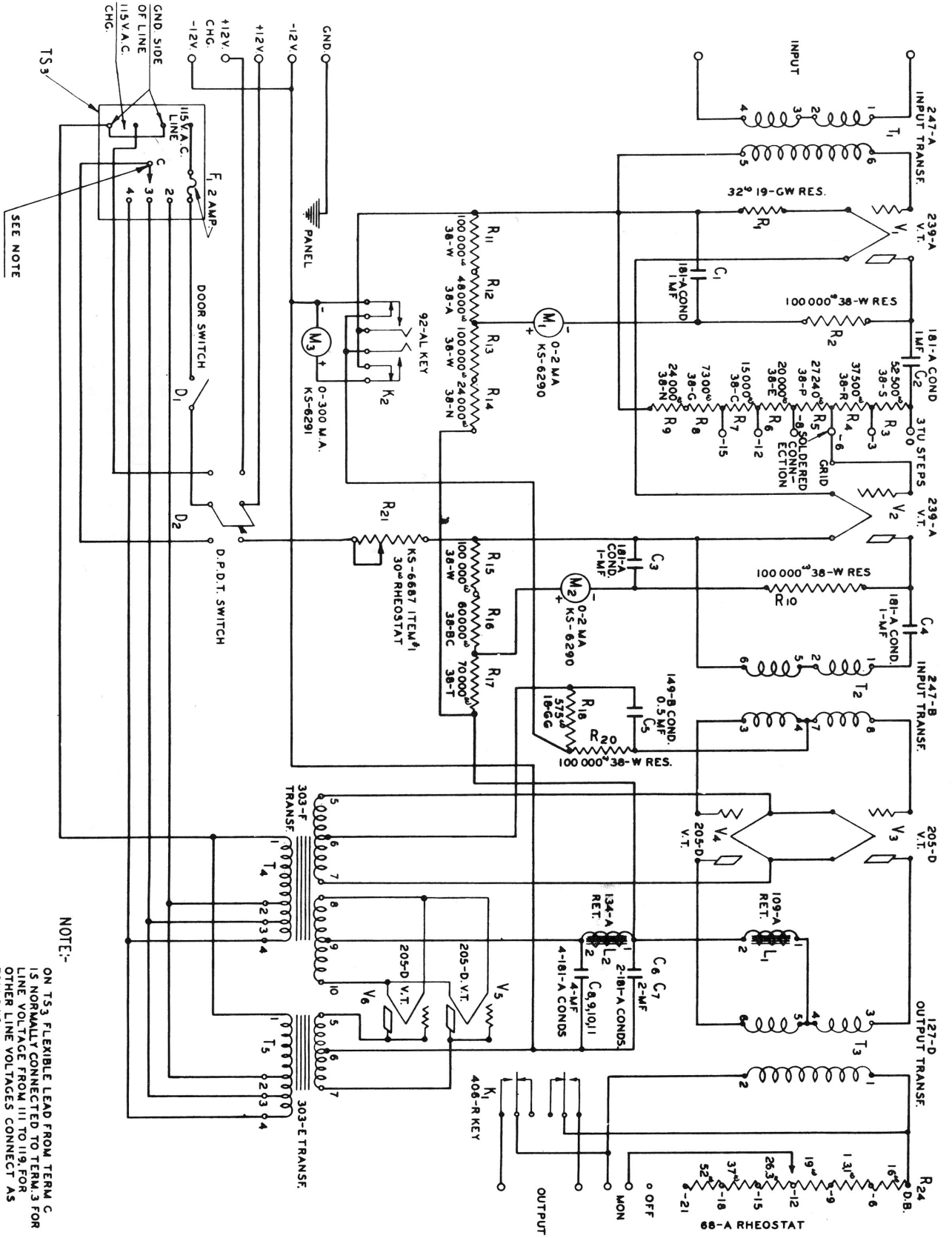


No. 46-G AMPLIFIER



SEE NOTE

NOTE:-

ON T₃ FLEXIBLE LEAD FROM TERM. C IS NORMALLY CONNECTED TO TERM. J FOR LINE VOLTAGE FROM 111 TO 119. FOR OTHER LINE VOLTAGES CONNECT AS FOLLOWS:-

LINE VOLTS	TERM.
102.5 TO 111	2
119 TO 127.5	4