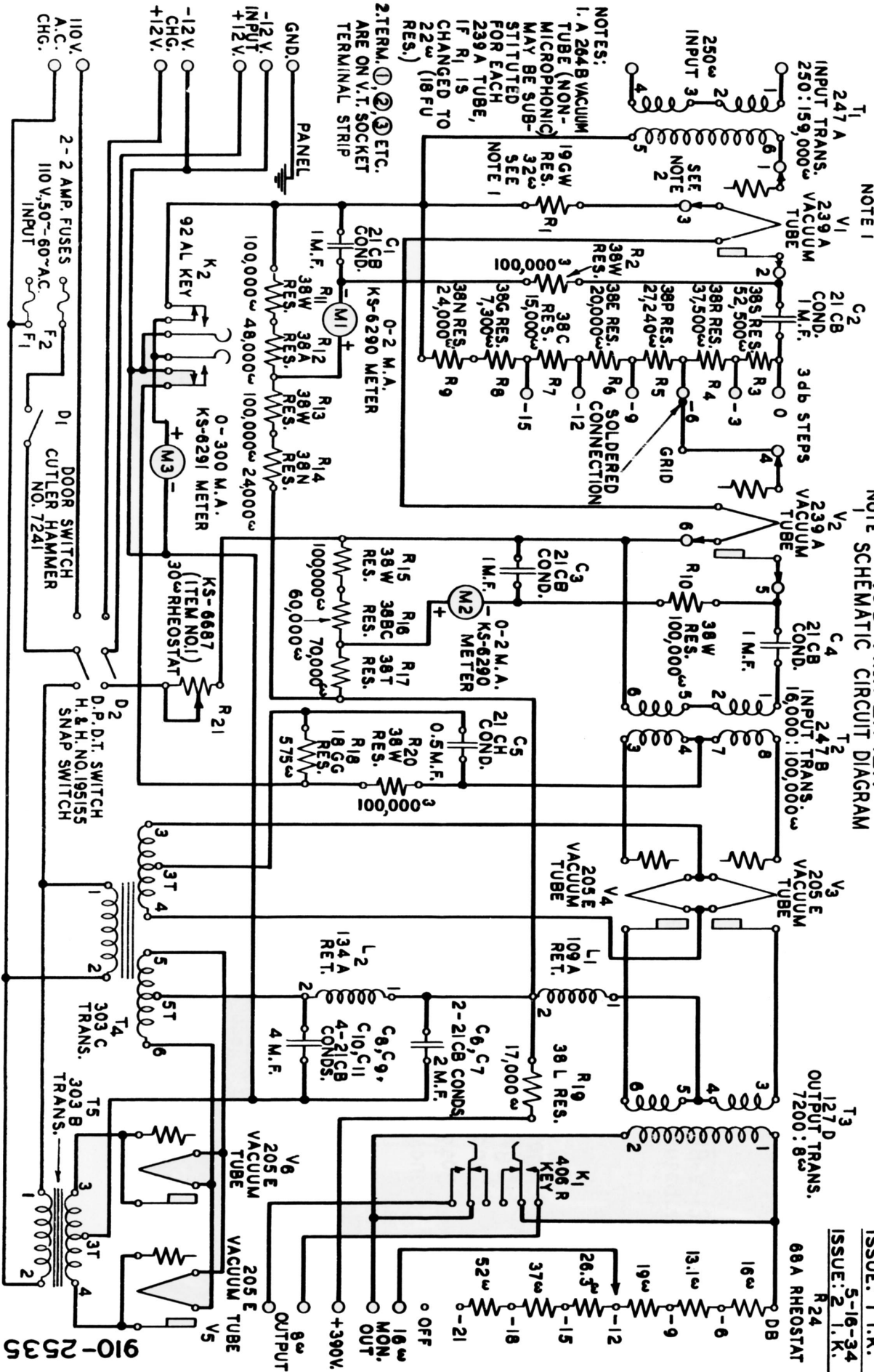


No.46-D AMPLIFIER

BELL TELEPHONE LABORATORIES
INCORPORATED

46D AMPLIFIER
SEE SCHEMATIC CIRCUIT DIAGRAM



910-2535
 2-15-34
 ISSUE: 1 I.K.
 5-16-34
 ISSUE: 2 I.K.
 68A RHEOSTAT