

## No. 18-A & 18-B RECTIFIERS

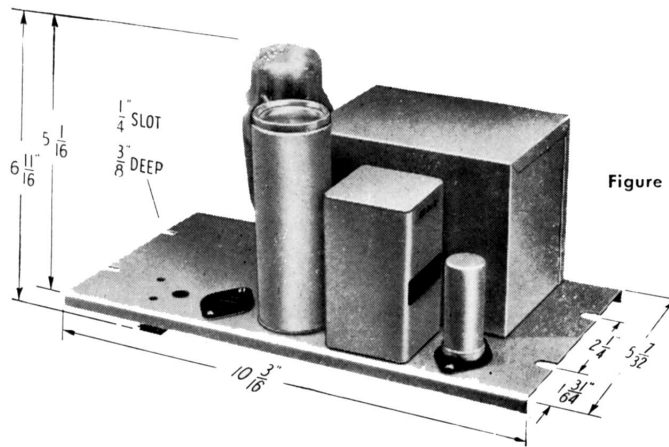


Figure 1 — 18A Rectifier.

**Use** — Rectifier type power units for supplying plate and filament power to speech input and sound system amplifiers.

**Description** — A full wave vacuum tube rectifier for plate supply and a transformer winding to supply filament power. Normally used to supply power for Western Electric Types 120, 121, 129, 130, 131, 132, 133 and similar amplifiers. The 18A is designed for mounting on a 177 Type Mounting Plate with additional rectifiers or other plate mounted units. The 18B is designed for direct mounting on a relay rack or equipment cabinet.

### Features

- Efficient.
- Compact.
- Rugged construction.
- Tapped transformer permits input and output voltage selection.

### Specifications

**Input:** 105-125 volts, 50 or 60 cycles a-c. Approximately 100 watts for full load.

**Output:** Plate supply maximum 75 ma. at approximately 250 volts d-c, taps on high voltage winding of transformer to maintain voltage between 320 and 250 volts d-c for loads between 0.007 amperes and 0.075 amperes. Filament supply maximum 8 amperes at approximately 6.3 volts a-c.

**Dimensions:** (18A) 10-3/16" wide, 5-7/32" deep and 6-11/16" high.

(18B) 19-5/32" wide, 3-15/32" high, 6-27/32" deep.

**Weight:** (18A) 9 pounds.

(18B) 12 pounds.

**Mounting:** (18A) Designed for mounting on 177 or 190 Type Mounting Plate with 296 Type panel (Capacity 3 rectifiers per plate). See "Components and Accessories" for ordering information.

(18B) Designed for mounting on standard 19" relay rack (includes face mat) or equipment cabinet. Occupies 3 1/2" of rack space.

**Finish:** (18A) Gray enamel.

18B-15 Dark aluminum gray.

18B-3 Black.

**Tubes:** One W.E. 274A or one Type 5Z3.

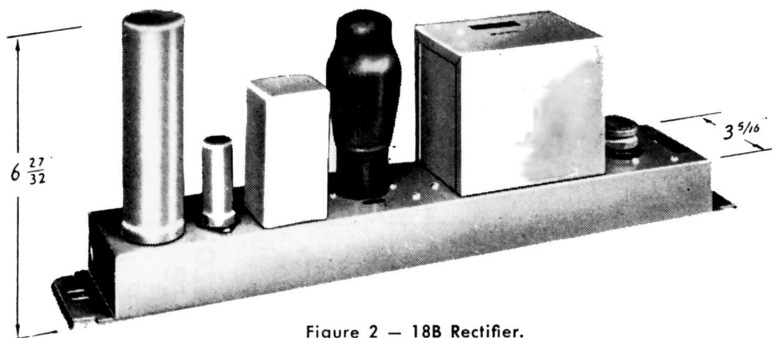


Figure 2 — 18B Rectifier.

No. 18-A RECTIFIERS No. 18-B RECTIFIERS

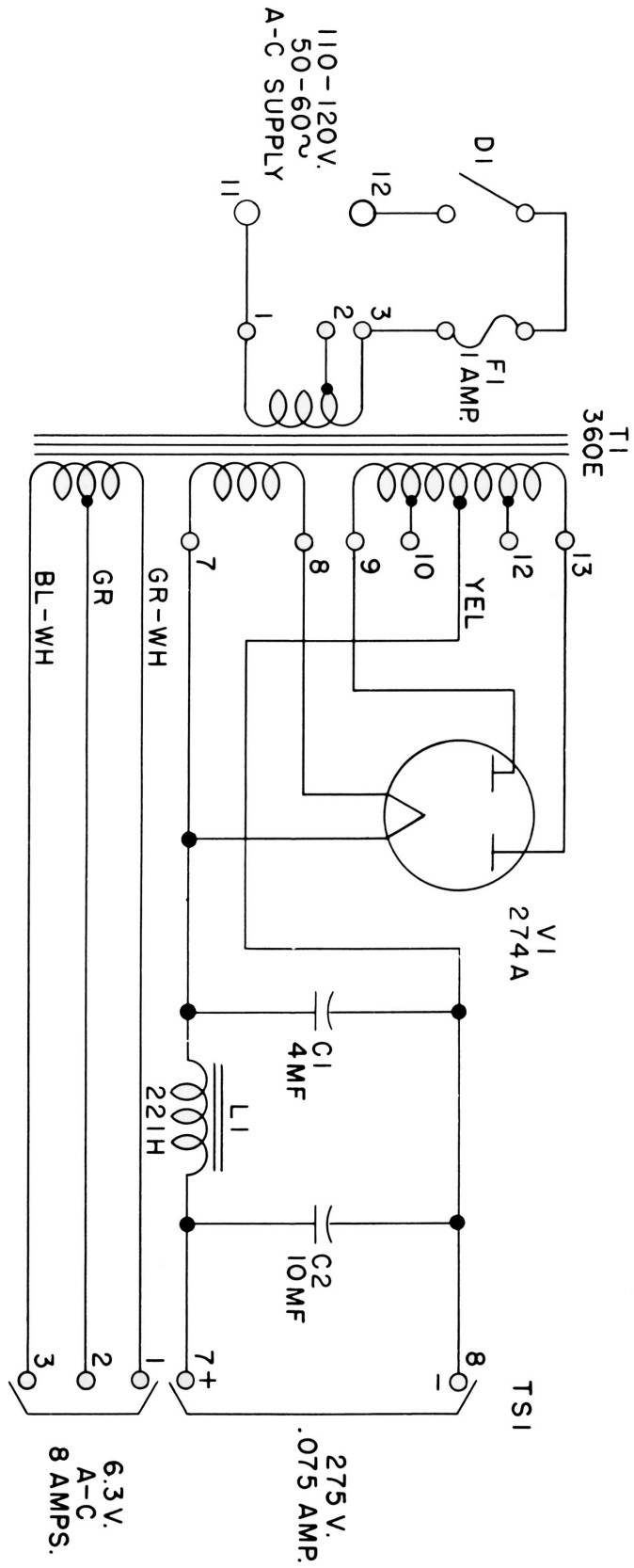


Fig. 1—Schematic of 18B Rectifier